

CONTAINER LOADER SYSTEM (CLS) CONTAINER LINER INFORMATION



schenck process group

DATA SHEET

March, 05

Data Sheet No. 018

CONTAINER LOADER SYSTEM (CLS) FOR DRY BULK GRANULAR

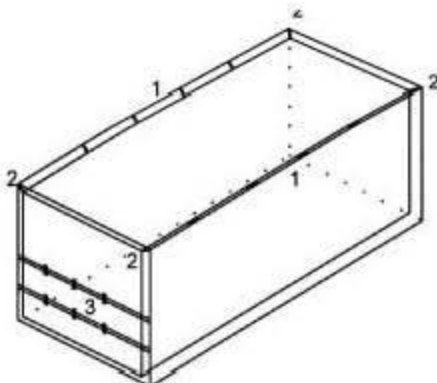
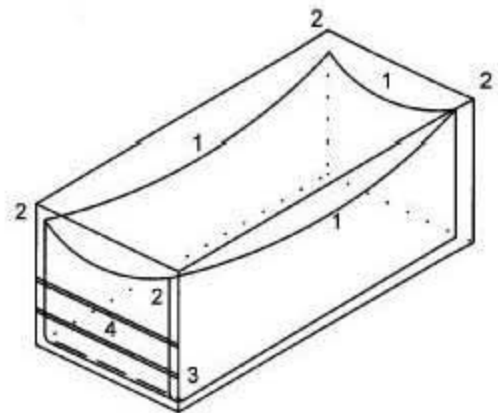
- See Data Sheet no. 017 for details



- The following sketches provides basic information on the installation of container liners together with typical configuration of operations required for liner inlets and outlets.
- This is provided for information purposes only.
- Stock Redler responsibilities extend to the provision only of the Container Loader System and specifically excludes containers and/or container liners. With the exception of the thrower inlet, the number of vents and outlets is the responsibility of the end-user or liner supplier.

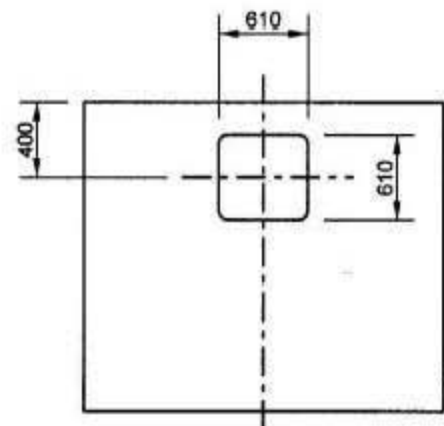
DO NOT HAVE:

- (1) TOP EDGES SLACK
- (2) CORNER TIES LOOSE
- (3) BOTTOM OF LINER BULKHEAD FOLDED OVER
- (4) LINER BULKHEAD NOT TIED TO BULKHEAD SUPPORT MEMBERS



ENSURE THAT:

- (1) LINER TOP EDGES ARE TIED TIGHTLY TO TOP EDGES OF CONTAINER
- (2) LINER CORNERS ARE TIED TIGHTLY TO CORNERS OF CONTAINER
- (3) LINER BULKHEAD IS TIED TO BULKHEAD SUPPORT MEMBERS



POSITION AND SIZE OF LINER LOADING SPOUT
(TYPICALLY 500 LONG)